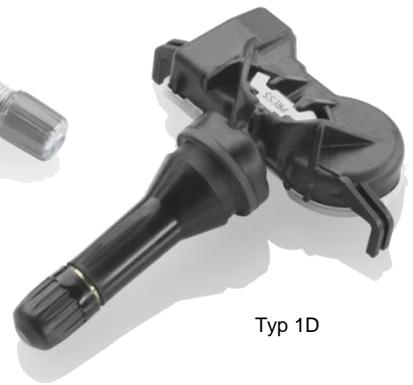




Typ 1B



Typ 1C



Typ 1D

TPMS OE Sensors Application List

RDKS OE-Sensoren Verwendungsliste

(Status: 02.2017)

Vehicle make Fahrzeugmarke	Model Modell	From ab	To bis	Restrictions Restriktionen 5)	OE# Sensor OE-Nr. Sensor	Identification Sensor Kennzeichnung Sensor	Order # Aftermarket sensor Bestell-Nr. Aftermarket- Sensor	Order # Service kit Bestell-Nr. Service-Kit	Order # Valve stem Bestell-Nr. Ventilstamm	Generation Bauform	Torque Hex nut Drehmoment Überwurfmutter	Torque Valve core Drehmoment Ventileinsatz
Alfa Romeo	Giulia	05.2016			50 547 691	A2C97145802	A2C9714580280	A2C59507829	A2C59517072	TG1C	8Nm	0,4Nm
BMW	1-series (F20, F21)	03.2014			36 10 6 881 890	S180052056	S180052056Z	A2C59506228	A2C59517073	TG1C	8Nm	0,4Nm
BMW	2-series (F22, F23, F45, F46)	03.2014			36 10 6 881 890	S180052056	S180052056Z	A2C59506228	A2C59517073	TG1C	8Nm	0,4Nm
BMW	3-series (F30,F31,F34)	03.2014			36 10 6 881 890	S180052056	S180052056Z	A2C59506228	A2C59517073	TG1C	8Nm	0,4Nm
BMW	4-series (F32, F33, F36)	03.2014			36 10 6 881 890	S180052056	S180052056Z	A2C59506228	A2C59517073	TG1C	8Nm	0,4Nm
BMW	i3 (I01)	08.2013			36 10 6 881 890	S180052056	S180052056Z	A2C59506228	A2C59517073	TG1C	8Nm	0,4Nm
BMW	i8 (I12)	03.2014			36 10 6 881 890	S180052056	S180052056Z	A2C59506228	A2C59517073	TG1C	8Nm	0,4Nm
BMW	M3 (F80)	04.2014			36 10 6 881 890	S180052056	S180052056Z	A2C59506228	A2C59517073	TG1C	8Nm	0,4Nm
BMW	M4 (F82, F83)	04.2014			36 10 6 881 890	S180052056	S180052056Z	A2C59506228	A2C59517073	TG1C	8Nm	0,4Nm
BMW	X1 (F48)	07.2015			36 10 6 881 890	S180052056	S180052056Z	A2C59506228	A2C59517073	TG1C	8Nm	0,4Nm
BMW	X5 (F15, F85)	05.2013			36 10 6 881 890	S180052056	S180052056Z	A2C59506228	A2C59517073	TG1C	8Nm	0,4Nm
BMW	X6 (F16, F86)	08.2014			36 10 6 881 890	S180052056	S180052056Z	A2C59506228	A2C59517073	TG1C	8Nm	0,4Nm
Citroen	C4	11.2004	06.2008		5430T4	S120123004	S180014805Z	S180014561A	n.A.	TG1B	8Nm	0,4Nm
Citroen	C5	09.2004	09.2013		5430T4	S120123004	S180014805Z	S180014561A	n.A.	TG1B	8Nm	0,4Nm
Citroen	C6	09.2005	12.2012		5430T4	S120123004	S180014805Z	S180014561A	n.A.	TG1B	8Nm	0,4Nm
Citroen	C8	09.2005	06.2014		5430T4	S120123004	S180014805Z	S180014561A	n.A.	TG1B	8Nm	0,4Nm
Citroen	C4 Aircross	04.2014			1612477080	S180052094	S180052094Z	A2C59507087	A2C59517072	TG1C	8Nm	0,4Nm
Citroen	C-Zero	10.2014		from Org.-Nr.: 13749	1612477080	S180052094	S180052094Z	A2C59507087	A2C59517072	TG1C	8Nm	0,4Nm
Fiat	2F Nuovo Ulysee	01.2001	10.2010		9673198580	S120123004	S180014805Z	S180014561A	n.A.	TG1B	8Nm	0,4Nm
Fiat	124 Spider	03.2016		3)	BHB637140	S180052054	S180052054Z	A2C59507828	A2C59517073	TG1C	8Nm	0,4Nm
Ford	Galaxy (WA6)	05.2006	04.2015		8G92 1A189-KB	S180052020	S180084730Z	S180084520A	A2C59517072	TG1C	8Nm	0,4Nm
Ford	S-Max (WA6)	05.2006	04.2015		8G92 1A189-KB	S180052020	S180084730Z	S180084520A	A2C59517072	TG1C	8Nm	0,4Nm
Ford	Mondeo IV (BA7)	03.2007	12.2014		8G92 1A189-KB	S180052020	S180084730Z	S180084520A	A2C59517072	TG1C	8Nm	0,4Nm
Honda	Accord	07.2013			42753-TL0-G520	S180052059	S180052059Z	A2C59507829	A2C59517072	TG1C	8Nm	0,4Nm
Honda	Jazz	11.2014	12.2015		42753-TL0-G520	S180052059	S180052059Z	A2C59507829	A2C59517072	TG1C	8Nm	0,4Nm
Hyundai	Elantra (AD)	01.2016			52933-F2000	A2C98607301	2910000102400	A2C59507828	A2C59517072	TG1C	8Nm	0,4Nm
Hyundai	Genesis (DH)	01.2014			52933 3N100	S180052092	S180052092Z	S180084510A	A2C59517072	TG1C	8Nm	0,4Nm
Hyundai	Grand Santafe (NC)	05.2013			52933 3N100	S180052092	S180052092Z	S180084510A	A2C59517072	TG1C	8Nm	0,4Nm
Hyundai	H-1 (TQ)	12.2014			52933-4H100	S180052072	2910000196000	S180084510A	A2C59517072	TG1C	8Nm	0,4Nm
Hyundai	IONIQ Hybrid	06.2016			52933 D4100	A2C96221101	2910000102300	A2C59507828	A2C59517072	TG1C	8Nm	0,4Nm
Hyundai	i20 (PB)	08.2008	06.2014		52933 1J000	S180052012	S180084710Z	A2C59507831	A2C59517072	TG1C	8Nm	0,4Nm
Hyundai	i20 MY 2012 (PB)	06.2014	EOP		52933 2M650	S180052092	S180052092Z	S180084510A	A2C59517072	TG1C	8Nm	0,4Nm
Hyundai	iX20 (JC)	11.2010	05.2013		52933 1J000	S180052012	S180084710Z	A2C59507831	A2C59517072	TG1C	8Nm	0,4Nm
Hyundai	iX20 (JC)	05.2013			52933 3N100	S180052092	S180052092Z	S180084510A	A2C59517072	TG1C	8Nm	0,4Nm
Hyundai	i30 (FD)	10.2007	06.2012		52933 2L600	S180030002	S180014820Z	S180014531A	n.A.	TG1B	8Nm	0,4Nm
Hyundai	i30 (GD)	11.2011			52933 3N100	S180052092	S180052092Z	S180084510A	A2C59517072	TG1C	8Nm	0,4Nm
Hyundai	i30 (PD)	08.2016			52933-F2000	A2C98607301	2910000102400	A2C59507828	A2C59517072	TG1C	8Nm	0,4Nm
Hyundai	Santa Fe (DM)	08.2012			52933 3N100	S180052092	S180052092Z	S180084510A	A2C59517072	TG1C	8Nm	0,4Nm
Infiniti	Q50	04.2013			407003JA0B	S180052036	S180052036Z	A2C59506227	A2C59517072	TG1C	8Nm	0,4Nm
Infiniti	Q60	10.2013			407003JA0B	S180052036	S180052036Z	A2C59506227	A2C59517072	TG1C	8Nm	0,4Nm
Infiniti	QX60	09.2013			407003JA0B	S180052036	S180052036Z	A2C59506227	A2C59517072	TG1C	8Nm	0,4Nm
Infiniti	QX70	08.2013			407003JA0A	S180052036	S180052036Z	A2C59506227	A2C59517072	TG1C	8Nm	0,4Nm
Jaguar	X350 Limousine	10.2005			C2Z15016	S120123002	A2C59511308	S180014561A	n.A.	TG1B	8Nm	0,4Nm
Jaguar	X-Type (X400)	01.2007			C2Z31510	S180052080	S180052080Z	S180084520A	A2C59517073	TG1C	8Nm	0,4Nm
Jaguar	F-Type (X152)	10.2012			C2D47173	S180052076	S180052076Z	S180084520A	A2C59517073	TG1C	8Nm	0,4Nm
Jaguar	F-Pace (X761)	12.2015			C2D47173	S180052076	S180052076Z	S180084520A	A2C59517073	TG1C	8Nm	0,4Nm
Jaguar	XE (X760)	02.2015	11.2015		C2D21599	S180052028	S180052028Z	S180084520A	A2C59517073	TG1C	8Nm	0,4Nm
Jaguar	XE (X760)	02.2015			C2D47173	S180052076	S180052076Z	S180084520A	A2C59517073	TG1C	8Nm	0,4Nm
Jaguar	XF (X250)	03.2008			C2Z31510	S180052080	S180052080Z	S180084520A	A2C59517073	TG1C	8Nm	0,4Nm
Jaguar	XF (X260)	06.2015			C2D47173	S180052076	S180052076Z	S180084520A	A2C59517073	TG1C	8Nm	0,4Nm
Jaguar	XJ (X350)	05.2003	09.2009		C2Z31510	S180052080	S180052080Z	S180084520A	A2C59517073	TG1C	8Nm	0,4Nm
Jaguar	XJ (X351)	10.2009			C2D47173	S180052076	S180052076Z	S180084520A	A2C59517073	TG1C	8Nm	0,4Nm
Jaguar	XK (X150)	03.2006	07.2014		C2Z31510	S180052080	S180052080Z	S180084520A	A2C59517073	TG1C	8Nm	0,4Nm
Jeep	Renegade	12.2014			53305555	S180150008	2910000063300	2910000063400	-	TG1D	-	0,4Nm
Jeep	Grand Cherokee (WK2 - MY2017)	04.2016		6)	50 547 691	A2C97145802	A2C9714580280	A2C59507829	A2C59517072	TG1C	8Nm	0,4Nm
Kia	Carens (RP)	12.2012			52933 3N100	S180052092	S180052092Z	S180084510A	A2C59517072	TG1C	8Nm	0,4Nm
Kia	Cee'd (ED)	12.2006	08.2012		52933 2L600	S180030002	S180014820Z	S180014531A	n.A.	TG1B	8Nm	0,4Nm
Kia	Cee'd (JD)	03.2012			52933 3N100	S180052092	S180052092Z	S180084510A	A2C59517072	TG1C	8Nm	0,4Nm
Kia	Niro	04.2016			52933 D4100	A2C96221101	2910000102300	A2C59507828	A2C59517072	TG1C	8Nm	0,4Nm
Kia	Optima Hybrid	03.2012	08.2013		52933 1J000	S180052012	S180084710Z	A2C59507831	A2C59517072	TG1C	8Nm	0,4Nm
Kia	Optima (TF)	08.2013	06.2015		52933 2M650	S180052092	S180052092Z	S180084510A	A2C59517072	TG1C	8Nm	0,4Nm
Kia	Optima Hybrid (TFe)	03.2014	06.2015		52933 2M650	S180052092	S180052092Z	S180084510A	A2C59517072	TG1C	8Nm	0,4Nm
Kia	Optima (JF)	08.2015			52933 D4100	A2C96221101	2910000102300	A2C59507828	A2C59517072	TG1C	8Nm	0,4Nm
Kia	Picanto (TA)	04.2014			52933 3N100	S180052092	S180052092Z	S180084510A	A2C59517072	TG1C	8Nm	0,4Nm
Kia	Sorento	11.2009	09.2012		52933 1J000	S180052012	S180084710Z	A2C59507831	A2C59517072	TG1C	8Nm	0,4Nm
Kia	Sorento (XM, UM)	07.2012			52933 3N100	S180052092	S180052092Z	S180084510A	A2C59517072	TG1C	8Nm	0,4Nm
Kia	Soul (AM)	02.2009	12.2013		52933 1J000	S180052012	S180084710Z	A2C59507831	A2C59517072	TG1C	8Nm	0,4Nm



Vehicle make Fahrzeugmarke	Model Modell	From ab	To bis	Restrictions Restriktionen 5)	OE# Sensor OE-Nr. Sensor	Identification Sensor Kennzeichnung Sensor	Order # Aftermarket sensor Bestell-Nr. Aftermarket- Sensor	Order # Service kit Bestell-Nr. Service-Kit	Order # Valve stem Bestell-Nr. Ventilstamm	Generation Bauform	Torque Hex nut Drehmoment Überwurfmutter	Torque Valve core Drehmoment Ventileinsatz
Kia	Sportage (QL)	10.2015			52933 D9100	A2C98607301	2910000102400	A2C59507828	A2C59517072	TG1C	8Nm	0,4Nm
Kia	Venga (YN)	02.2010	04.2014		52933 J1000	S180052012	S180084710Z	A2C59507831	A2C59517072	TG1C	8Nm	0,4Nm
Kia	Venga (YN)	04.2014			52933 3N100	S180052092	S180052092Z	S180084510A	A2C59517072	TG1C	8Nm	0,4Nm
Lada	Granta	04.2015	06.2016		407003VU0A	S180052048	S180052048Z	A2C59506227	A2C59517072	TG1C	8Nm	0,4Nm
Lada	Granta	07.2016			407004CB0A	S180150006	2910000063100	2910000063400	-	TG1D	-	0,4Nm
Lada	Kalina	10.2016			407004CB0A	S180150006	2910000063100	2910000063400	-	TG1D	-	0,4Nm
Lada	Vesta	11.2015			407003VU0A	S180052048	S180052048Z	A2C59506227	A2C59517072	TG1C	8Nm	0,4Nm
Lancia	TC Phedra	01.2001	10.2010		9673198580	S120123004	S180014805Z	S180014561A	n.A.	TG1B	8Nm	0,4Nm
Land Rover	Discovery 3 (L319)	07.2004	09.2009		LR086928	S180052080	S180052080Z	S180084520A	A2C59517073		8Nm	0,4Nm
Land Rover	Discovery 4 (L319)	09.2009			LR070840	S180052076	S180052076Z	S180084520A	A2C59517073	TG1C	8Nm	0,4Nm
Land Rover	Discovery Sport (L550)	10.2014			LR070840	S180052076	S180052076Z	S180084520A	A2C59517073	TG1C	8Nm	0,4Nm
Land Rover	FreeLander (L359)	10.2006			LR070840	S180052076	S180052076Z	S180084520A	A2C59517073	TG1C	8Nm	0,4Nm
Land Rover	Range Rover (L322)	2005	08.2009		LR086928	S180052080	S180052080Z	S180084520A	A2C59517073		8Nm	0,4Nm
Land Rover	Range Rover (D5, D6)	09.2009	05.2015		LR070840	S180052076	S180052076Z	S180084520A	A2C59517073	TG1C	8Nm	0,4Nm
Land Rover	Range Rover (L322, L405)	09.2009			LR070840	S180052076	S180052076Z	S180084520A	A2C59517073	TG1C	8Nm	0,4Nm
Land Rover	Range Rover Evoque (L538)	2012			LR070840	S180052076	S180052076Z	S180084520A	A2C59517073	TG1C	8Nm	0,4Nm
Land Rover	Range Rover Sport (L320)	2005	04.2010		LR086928	S180052080	S180052080Z	S180084520A	A2C59517073		8Nm	0,4Nm
Land Rover	Range Rover Sport (E2, E3)	05.2010	05.2015		LR0700840	S180052076	S180052076Z	S180084520A	A2C59517073	TG1C	8Nm	0,4Nm
Land Rover	Range Rover Sport (L320, L494)	05.2010			LR070840	S180052076	S180052076Z	S180084520A	A2C59517073	TG1C	8Nm	0,4Nm
Mazda	2 (DE)	05.2014		3)	BHB637140	S180052054	S180052054Z	A2C59507828	A2C59517073	TG1C	8Nm	0,4Nm
Mazda	3 (BL)	06.2009	03.2013	3)	BHB637140	S180052054	S180052054Z	A2C59507828	A2C59517073	TG1C	8Nm	0,4Nm
Mazda	5 (CW)	09.2010		3)	BHB637140	S180052054	S180052054Z	A2C59507828	A2C59517073	TG1C	8Nm	0,4Nm
Mazda	6 (GH)	08.2007		3)	BHB637140	S180052054	S180052054Z	A2C59507828	A2C59517073	TG1C	8Nm	0,4Nm
Mazda	CX5 (KE)	11.2011		3)	BHB637140	S180052054	S180052054Z	A2C59507828	A2C59517073	TG1C	8Nm	0,4Nm
Mazda	CX7 (ER)	06.2009		3)	BHB637140	S180052054	S180052054Z	A2C59507828	A2C59517073	TG1C	8Nm	0,4Nm
Mazda	CX9 (TB)	08.2010		3)	BHB637140	S180052054	S180052054Z	A2C59507828	A2C59517073	TG1C	8Nm	0,4Nm
Mazda	MX5 (NC)	03.2010		3)	BHB637140	S180052054	S180052054Z	A2C59507828	A2C59517073	TG1C	8Nm	0,4Nm
Mercedes Benz	CLS (C219)	01.2005	07.2009	ab A 006846	A 002 540 80 17	S122228002	S180014730Z	S180014541A	n.A.	MB	6Nm	0,4Nm
Mercedes Benz	E-Class (W211)	03.2005	03.2009		A 002 540 80 17	S122228002	S180014730Z	S180014541A	n.A.	MB	6Nm	0,4Nm
Mercedes Benz	GL-class (X164)	09.2006	07.2009	bis A 536007	A 002 540 80 17	S122228002	S180014730Z	S180014541A	n.A.	MB	6Nm	0,4Nm
Mercedes Benz	M-Class (W164)	07.2005	07.2009	bis A 536007	A 002 540 80 17	S122228002	S180014730Z	S180014541A	n.A.	MB	6Nm	0,4Nm
Mercedes Benz	R-Class (W251)	01.2006	07.2009	bis A 101972	A 002 540 80 17	S122228002	S180014730Z	S180014541A	n.A.	MB	6Nm	0,4Nm
Mercedes Benz	S-Class (W221)	10.2005	06.2009	bis A 293047	A 002 540 80 17	S122228002	S180014730Z	S180014541A	n.A.	MB	6Nm	0,4Nm
Mercedes Benz	S-Class Coupe (C216)	05.2006	06.2009	bis A 024016	A 002 540 80 17	S122228002	S180014730Z	S180014541A	n.A.	MB	6Nm	0,4Nm
Mercedes Benz	SL (R230)	01.2005	07.2009	ab F 099797	A 002 540 80 17	S122228002	S180014730Z	S180014541A	n.A.	MB	6Nm	0,4Nm
Mercedes Benz	Sprinter NVC 3 (906)	06.2006	06.2014		A 002 540 95 17	S122228004	A2C59511309	A2C59511332	n.A.	MB	6Nm	0,4Nm
Mercedes Benz	Viano/Vito (W639)	06.2006	09.2014		A 002 540 95 17	S122228004	A2C59511309	A2C59511332	n.A.	MB	6Nm	0,4Nm
MINI	Mini (F55, F56)	12.2013			36 10 6 856 209	S180052056	S180052056Z	A2C59506228	A2C59517073	TG1C	8Nm	0,4Nm
MINI	Cooper (F55, F56)	3.2014			36 10 6 881 890	S180052056	S180052056Z	A2C59506228	A2C59517073	TG1C	8Nm	0,4Nm
MINI	One (F55, F56)	3.2014			36 10 6 881 890	S180052056	S180052056Z	A2C59506228	A2C59517073	TG1C	8Nm	0,4Nm
MINI	Clubman (F54)	07.2015			36 10 6 881 890	S180052056	S180052056Z	A2C59506228	A2C59517073	TG1C	8Nm	0,4Nm
MINI	Cabrio (F57)	03.2016	07.2016		36 10 6 881 890	S180052056	S180052056Z	A2C59506228	A2C59517073	TG1C	8Nm	0,4Nm
Mitsubishi	ASX (ZC)	08.2014			4250C477	S180052094	S180052094Z	A2C59507087	A2C59517072	TG1C	8Nm	0,4Nm
Mitsubishi	i-Miev (TQ)	07.2014			4250C477	S180052094	S180052094Z	A2C59507087	A2C59517072	TG1C	8Nm	0,4Nm
Mitsubishi	Lancer (GS41)	08.2014			4250C477	S180052094	S180052094Z	A2C59507087	A2C59517072	TG1C	8Nm	0,4Nm
Mitsubishi	L200 (CR)	08.2014			4250C477	S180052094	S180052094Z	A2C59507087	A2C59517072	TG1C	8Nm	0,4Nm
Mitsubishi	Outlander (RE)	07.2014			4250C477	S180052094	S180052094Z	A2C59507087	A2C59517072	TG1C	8Nm	0,4Nm
Mitsubishi	Pajero (BK)	07.2014			4250C275	S180150004	2910000063200	2910000063400	-	TG1D	-	0,4Nm
Mitsubishi	Spacestar (EL)	07.2014			4250C275	S180150004	2910000063200	2910000063400	-	TG1D	-	0,4Nm
Nissan	Altima (L33)	03.2014			407003JA0B	S180052036	S180052036Z	A2C59506227	A2C59517072	TG1C	8Nm	0,4Nm
Nissan	Murrano (Z51)	10.2014			407003JA0B	S180052036	S180052036Z	A2C59506227	A2C59517072	TG1C	8Nm	0,4Nm
Nissan	Note (E12)	08.2013			407003VU0A	S180052048	S180052048Z	A2C59506227	A2C59517072	TG1C	8Nm	0,4Nm
Nissan	e-NV200	05.2014	09.2016		407003VU0A	S180052048	S180052048Z	A2C59506227	A2C59517072	TG1C	8Nm	0,4Nm
Nissan	e-NV200	10.2016			407004CB0A	S180150006	2910000063100	2910000063400	-	TG1D	-	0,4Nm
Nissan	Pathfinder (R51, R52)	06.2013			407003JA0B	S180052036	S180052036Z	A2C59506227	A2C59517072	TG1C	8Nm	0,4Nm
Nissan	Pulsar (C13)	10.2014	09.2016		407003VU0A	S180052048	S180052048Z	A2C59506227	A2C59517072	TG1C	8Nm	0,4Nm
Nissan	Pulsar (C13)	10.2016			407004CB0A	S180150006	2910000063100	2910000063400	-	TG1D	-	0,4Nm
Nissan	Qashqai (J11)	12.2013	09.2016		407003VU0A	S180052048	S180052048Z	A2C59506227	A2C59517072	TG1C	8Nm	0,4Nm
Nissan	Qashqai (J11)	10.2016			407004CB0A	S180150006	2910000063100	2910000063400	-	TG1D	-	0,4Nm
Nissan	Tiida (C12)	10.2014	09.2016		407003VU0A	S180052048	S180052048Z	A2C59506227	A2C59517072	TG1C	8Nm	0,4Nm
Nissan	Tiida (C12)	10.2016			407004CB0A	S180150006	2910000063100	2910000063400	-	TG1D	-	0,4Nm
Nissan	X-Trail (T32)	11.2013	09.2016		407003VU0A	S180052048	S180052048Z	A2C59506227	A2C59517072	TG1C	8Nm	0,4Nm
Nissan	X-Trail (T32)	10.2016			407004CB0A	S180150006	2910000063100	2910000063400	-	TG1D	-	0,4Nm
Nissan	Teana (GS3)	09.2013			407003JA0B	S180052036	S180052036Z	A2C59506227	A2C59517072	TG1C	8Nm	0,4Nm
Peugeot	1007	04.2005	12.2009		5430T4	S120123004	S180014805Z	S180014561A	n.A.	TG1B	8Nm	0,4Nm
Peugeot	207	02.2006	09.2013		5430T4	S120123004	S180014805Z	S180014561A	n.A.	TG1B	8Nm	0,4Nm
Peugeot	307	11.2003	12.2006		5430T4	S120123004	S180014805Z	S180014561A	n.A.	TG1B	8Nm	0,4Nm
Peugeot	407	05.2004	02.2006		5430T4	S120123004	S180014805Z	S180014561A	n.A.	TG1B	8Nm	0,4Nm



Vehicle make Fahrzeugmarke	Model Modell	From ab	To bis	Restrictions Restriktionen 5)	OE# Sensor OE-Nr. Sensor	Identification Sensor Kennzeichnung Sensor	Order # Aftermarket sensor Bestell-Nr. Aftermarket- Sensor	Order # Service kit Bestell-Nr. Service-Kit	Order # Valve stem Bestell-Nr. Ventilstamm	Generation Bauform	Torque Hex nut Drehmoment Überwurfmutter	Torque Valve core Drehmoment Ventileinsatz
Peugeot	508	11.2010	09.2013		5430T4	S120123004	S180014805Z	S180014561A	n.A.	TG1B	8Nm	0,4Nm
Peugeot	607	10.2004	03.2009		5430T4	S120123004	S180014805Z	S180014561A	n.A.	TG1B	8Nm	0,4Nm
Peugeot	807	10.2004	06.2014		5430T4	S120123004	S180014805Z	S180014561A	n.A.	TG1B	8Nm	0,4Nm
Peugeot	4008	11.2014			1612477080	S180052094	S180052094Z	A2C59507087	A2C59517072	TG1C	8Nm	0,4Nm
Peugeot	ION	10.2014		from Org.-Nr.: 13749	1612477080	S180052094	S180052094Z	A2C59507087	A2C59517072	TG1C	8Nm	0,4Nm
Renault	Espace V	06.2015		4)	407004CB0A	S180150006	2910000063100	2910000063400	-	TG1D	-	0,4Nm
Renault	Fluence	02.2010			40 70 004 35 R	S180052064	S180052064Z	S180084500A	A2C59517072	TG1C	8Nm	0,4Nm
Renault	Kadjar	06.2015			407004CB0A	S180150006	2910000063100	2910000063400	-	TG1D	-	0,4Nm
Renault	Koleos	12.2013			407003VU0A	S180052048	S180052048Z	A2C59506227	A2C59517072	TG1C	8Nm	0,4Nm
Renault	Laguna III	10.2007			40 70 004 35 R	S180052064	S180052064Z	S180084500A	A2C59517072	TG1C	8Nm	0,4Nm
Renault	Latitude	02.2011			40 70 004 35 R	S180052064	S180052064Z	S180084500A	A2C59517072	TG1C	8Nm	0,4Nm
Renault	Megane II	11.2002	11.2008		40 70 055 78R	S120123006	S180014810Z	S180014500A	n.A.	TG1B	8Nm	0,4Nm
Renault	Megane III	11.2008			40 70 004 35 R	S180052064	S180052064Z	S180084500A	A2C59517072	TG1C	8Nm	0,4Nm
Renault	Megane IV	11.2015		5)	407004CB0A	S180150006	2910000063100	2910000063400	-	TG1D	-	0,4Nm
Renault	Scenic II	06.2003	07.2010		40 70 055 78R	S120123006	S180014810Z	S180014500A	n.A.	TG1B	8Nm	0,4Nm
Renault	Scenic III	02.2009			40 70 004 35 R	S180052064	S180052064Z	S180084500A	A2C59517072	TG1C	8Nm	0,4Nm
Renault	Scenic IV	09.2016			407004CB0A	S180150006	2910000063100	2910000063400	-	TG1D	-	0,4Nm
Renault	Spider	03.2010			40 70 004 35 R	S180052064	S180052064Z	S180084500A	A2C59517072	TG1C	8Nm	0,4Nm
Renault	Talisman	06.2015		6)	407004CB0A	S180150006	2910000063100	2910000063400	-	TG1D	-	0,4Nm
Renault	Zoe	09.2012			40 70 004 35 R	S180052064	S180052064Z	S180084500A	A2C59517072	TG1C	8Nm	0,4Nm
Suzuki	Ignis	01.2017			43139-61M00	S180052024	S180052024Z	S180084510A	A2C59517072	TG1C	8Nm	0,4Nm
Suzuki	Jimny	11.2014			43139-61M00	S180052024	S180052024Z	S180084510A	A2C59517072	TG1C	8Nm	0,4Nm
Suzuki	Swift	04.2014			43139-61M00	S180052024	S180052024Z	S180084510A	A2C59517072	TG1C	8Nm	0,4Nm
Suzuki	SX-4	06.2014			43139-61M00	S180052024	S180052024Z	S180084510A	A2C59517072	TG1C	8Nm	0,4Nm
Suzuki	SX-4 S-Cross	08.2013			43139-61M00	S180052024	S180052024Z	S180084510A	A2C59517072	TG1C	8Nm	0,4Nm
Suzuki	Vitara	02.2015			43139-61M00	S180052024	S180052024Z	S180084510A	A2C59517072	TG1C	8Nm	0,4Nm
Tesla	Model S MY 2015	09.2014			1034602-00-A	S180052068	S180052068Z	A2C59507831	A2C59517072	TG1C	8Nm	0,4Nm
Tesla	Model X	09.2015			1034602-00-A	S180052068	S180052068Z	A2C59507831	A2C59517072	TG1C	8Nm	0,4Nm
Volkswagen	New Beetle	2006	07.2010		1K0 907 253 C	C122215002	S180014701Z	S180014511A	n.A.	TG1B	8Nm	0,4Nm
Volkswagen	Passat / Passat Synchro	03.2005	11.2010		1K0 907 253 C	C122215002	S180014701Z	S180014511A	n.A.	TG1B	8Nm	0,4Nm
Volkswagen	Crafter	04.2006	06.2014		2E0 907 508 F	S122228004	A2C59511309	A2C59511332	n.A.	MB	6Nm	0,4Nm
Volvo	C30	10.2006		3)	31302096	S180052050	S180052050Z	S180084520A	A2C59517072	TG1C	8Nm	0,4Nm
Volvo	C30 Electric	12.2010		3)	31341893	S180052050	S180052050Z	S180084520A	A2C59517072	TG1C	8Nm	0,4Nm
Volvo	C70	03.2006		3)	31302096	S180052050	S180052050Z	S180084520A	A2C59517072	TG1C	8Nm	0,4Nm
Volvo	S40	01.2004		3)	31302096	S180052050	S180052050Z	S180084520A	A2C59517072	TG1C	8Nm	0,4Nm
Volvo	S60	01.2011		3)	31341893	S180052050	S180052050Z	S180084520A	A2C59517072	TG1C	8Nm	0,4Nm
Volvo	S80L	03.2006		3)	31341893	S180052050	S180052050Z	S180084520A	A2C59517072	TG1C	8Nm	0,4Nm
Volvo	S80	03.2006		3)	31341893	S180052050	S180052050Z	S180084520A	A2C59517072	TG1C	8Nm	0,4Nm
Volvo	V50	04.2004		3)	31302096	S180052050	S180052050Z	S180084520A	A2C59517072	TG1C	8Nm	0,4Nm
Volvo	V60	09.2010		3)	31341893	S180052050	S180052050Z	S180084520A	A2C59517072	TG1C	8Nm	0,4Nm
Volvo	V70	03.2006		3)	31341893	S180052050	S180052050Z	S180084520A	A2C59517072	TG1C	8Nm	0,4Nm
Volvo	XC60	05.2008		3)	31341893	S180052050	S180052050Z	S180084520A	A2C59517072	TG1C	8Nm	0,4Nm
Volvo	XC70	02.2007		3)	31341893	S180052050	S180052050Z	S180084520A	A2C59517072	TG1C	8Nm	0,4Nm

Restrictions:

- 1) If a service kit for a sensor of type TG1B is needed for the Ford, Jaguar, Land Rover, Mazda or Volvo brand, use article number S180014561A.
- 2) If a service kit for a sensor of type TG1B is needed for the Hyundai/Kia brand, use article number S180014531A.
- 3) These vehicle models are only be equipped with direct tire pressure monitoring systems as option.
- 4) Max. designed speed of TG1D sensors: 200km/h. Vehicle models with a maximum speed of more than 200km/h have to use the TG1C sensor S180052048Z.
- 5) Installation of sensors only in specifically approved OE and spare part rims.

Restriktionen:

- 1) Sollte bei den Marken Ford, Jaguar, Landrover, Mazda oder Volvo ein Service-Kit für einen Sensor der Bauform TG1B benötigt werden, dann Artikelnummer S180014561A.
- 2) Sollte bei der Marke Hyundai/Kia ein Service-Kit für einen Sensor der Bauform TG1B benötigt werden, dann Artikelnummer S180014531A.
- 3) Diese Fahrzeuge sind ggfs. nur optional mit direktem Reifendruckkontrollsystem ausgestattet.
- 4) Bauartbedingte Höchstgeschwindigkeit für TG1D-Sensoren: 200km/h. Fahrzeug-Motorisierungen mit einer Höchstgeschwindigkeit von mehr als 200km/h müssen alternativ den TG1C-Sensor S180052048Z verwenden.
- 5) Verbau von Sensoren nur in spezifisch freigegebenen OE und Ersatzteil-Felgen.

