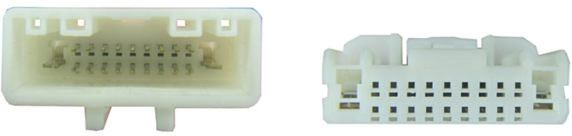

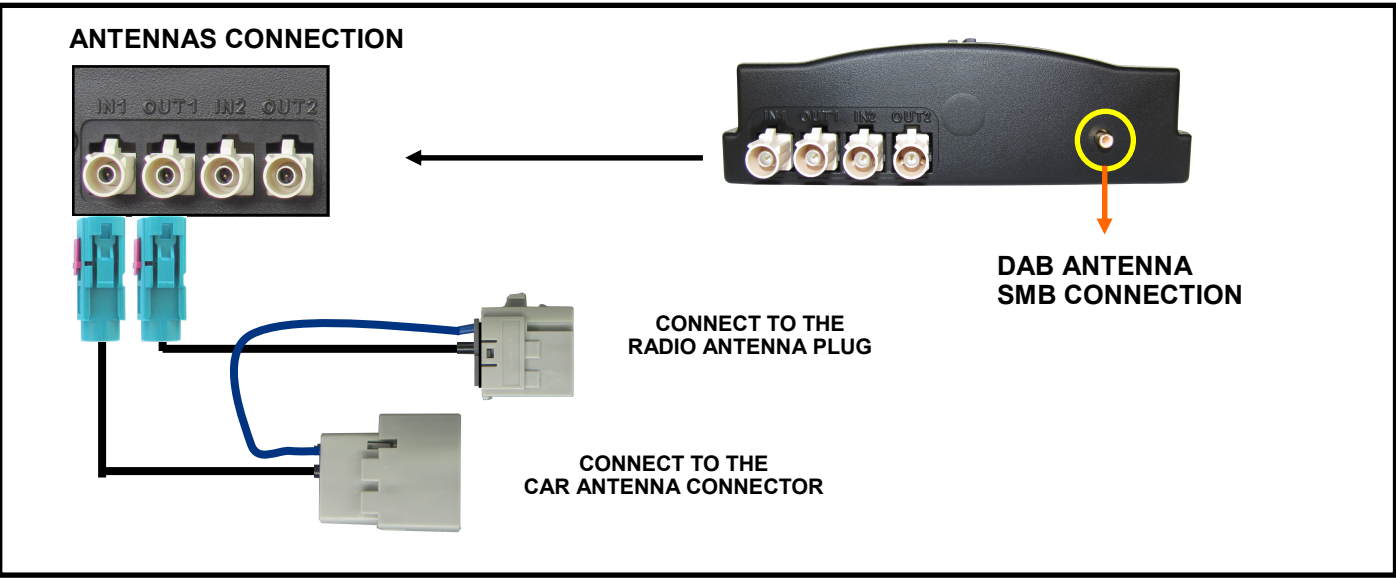


**INSTALLATION ESTIMATED IN 1 HOUR AND A HALF**

	<b>NISSAN</b>	<b>PLUG AND PLAY CBL059NIDB11</b>	<b>PROTOCOL RESISTIVE</b>
---	---------------	---------------------------------------	-------------------------------

Vehicle	Year	OEM Radio
370z	2012->	All Models
Evalia	2012->	All Models
Juke	2010->	All Models
Note	2010->	All Models
Qashqai	2007-2009	All Models
Qashqai	2010-2013	All Models

Connector position: Radio location	ANTENNA ADAPTER
<p>Back the radio compartment is located the OEM radio connector</p> 	<p>Code: K54ADJGTDIN/22</p> 



**NOTE**

TUNES ON THE RADIO THE DEFAULT FM STATION AND MEMORIZE THE FREQUENCY 87.7 mHz IN ONE OF THE FREE CHANNEL (EXAMPLE POSITION 1).

POWER THE MEDIADAB HD, IT WILL START ON, IT SHOULD APPEAR THE **SCAN** OPERATION.

IT TAKES SOME MINUTES. TO MAKE THIS BE SURE THAT THE CAR IS IN AN OPEN SPACE AND THE DAB ANTENNA IS CORRECTLY CONNECTED. ONCE SCAN IS END THE FIRST DAB STATION AVAILABLE SHOULD PLAY.

# STERING WHEEL PROGRAMMING PROCEDURE



## ATTENTION

BEFORE STARTING THE STEERING WHEEL COMMANDS LEARNING PROCEDURE PLEASE CHECK THAT THE OEM RADIO IS CONNECTED AND THE KEY IS TURNED ON LEARNING PROCEDURE IS ALLOWED ONLY FOR 60 SECONDS AFTER INTERFACE POWER ON.  
IF THE INTERFACE WILL NOT RECOGNIZE STEERING WHEEL BUTTONS IS NECESSARY TO REMOVE AND CONNECTED BACK AGAIN POWER.

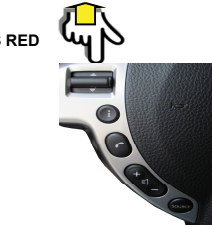
**PRESS VOLUME — THE LED BECOMES ORANGE: PLEASE KEEP IT PRESSED FOR 1 SECOND AND RELEASE IT WHEN THE LED IS RED**



**PRESS VOLUME + THE LED BECOMES ORANGE: PLEASE KEEP IT PRESSED FOR 1 SECOND AND RELEASE IT WHEN THE LED IS RED**



**PRESS SEEK — THE LED BECOMES ORANGE: PLEASE KEEP IT PRESSED FOR 1 SECOND AND RELEASE IT WHEN THE LED IS RED**



**PRESS SEEK + THE LED BECOMES ORANGE: PLEASE KEEP IT PRESSED FOR 1 SECOND AND RELEASE IT WHEN THE LED IS RED**



**PRESS MODE THE LED BECOMES ORANGE: PLEASE KEEP IT PRESSED FOR 1 SECOND AND RELEASE IT WHEN THE LED IS RED**



**PRESS QUICKLY THE BUTTON OF MEDIADAB TO JUMP MUTE FUNCTION, LED BECOMES ORANGE AND TURNS IMMEDIATELY RED**



**PRESS QUICKLY THE BUTTON OF MEDIADAB TO JUMP VOICE FUNCTION, LED BECOMES ORANGE AND TURNS IMMEDIATELY RED**



**PRESS PHONE UP THE LED BECOMES ORANGE: PLEASE KEEP IT PRESSED TILL THE LED BECOME GREEN**



In case of an incorrect working of the steering wheel commands functions, please make a RESET of the module, as described below, by pressing the button of the unit till the LED of the module switches OFF.





NISSAN

PLUG AND PLAY  
CBL059NIDB11

PROTOCOL  
RESISTIVE

**QUICK MENU**

SWITCH ON  
VOLUME  
SEQUENCE



VOL+



VOL-



VOL+



VOL-

SWITCH OFF  
VOLUME  
SEQUENCE



VOL+



VOL-



VOL+



VOL-

OR TROUGHT THE MENU

ENTER MENU'  
SOURCE  
SEQUENCE



**PRESS LONG**

MENU'  
NAVIGATION  
SEEKS

**NEXT  
SEEK +**



**PREVIOUS  
SEEK -**

CONFIRM A  
MENU  
SELECTION  
PRESS  
MODE

**SHORT  
PRESS**



CHANGE  
CHANNEL  
THROUGH SEEK

**NEXT  
SEEK +**



**PREVIOUS  
SEEK -**

CHANGE  
FAVOURITE  
CHANNEL  
THROUGH SEEK

**LONG  
PRESS SEEK+  
NEXT**



**LONG  
PRESS SEEK  
PREVIOUS**

ADD FAVOURITE  
CHANNEL  
VOLUME  
SEQUENCE



VOL-



VOL+

SCAN



**3 TIME MODE  
PRESS**