
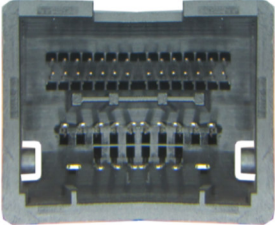
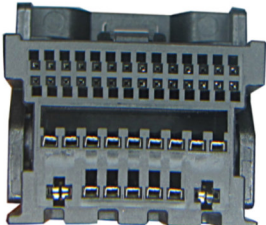



INSTALLATION ESTIMATED IN 1 HOUR

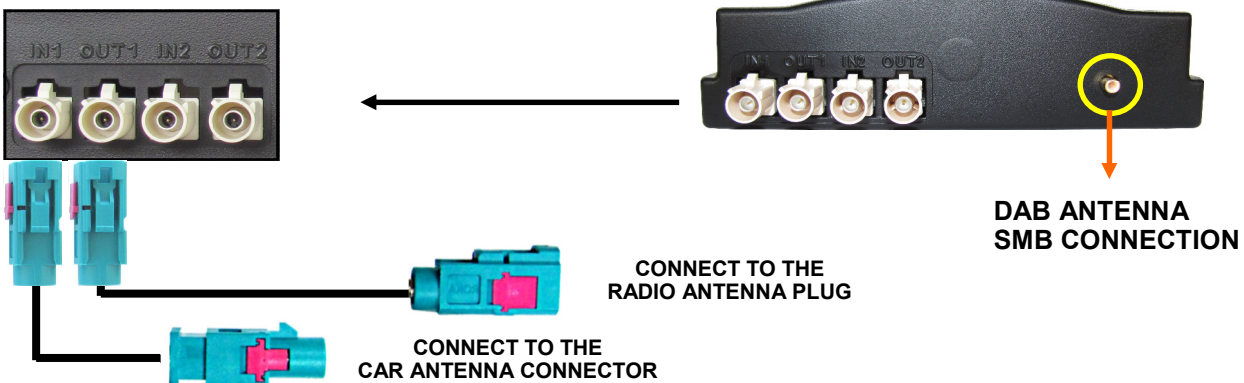
	OPEL CHEVROLET	PLUG AND PLAY CBL059OPDB11	PROTOCOL CANBUS 1 WIRE GMLAN
---	---------------------------	---------------------------------------	---

OPEL	Year	OEM Radio
Astra J	2010->	All Models
Insignia	2009->	All Models
Meriva	2010->	All Models
Mokka	2014->	All Models
Zafira Tourer	2011->	All Models

CHEVROLET	Year	OEM Radio
Cruze	2009->	All Models

Connector position: Radio location	ANTENNA ADAPTER
<p>Behind the radio there is the OEM radio connector.</p> <div style="display: flex; justify-content: space-around;">   </div>	<p>Code: CBL054ANDB21</p> 

ANTENNAS CONNECTION





CONNECT TO THE RADIO ANTENNA PLUG
CONNECT TO THE CAR ANTENNA CONNECTOR
DAB ANTENNA SMB CONNECTION

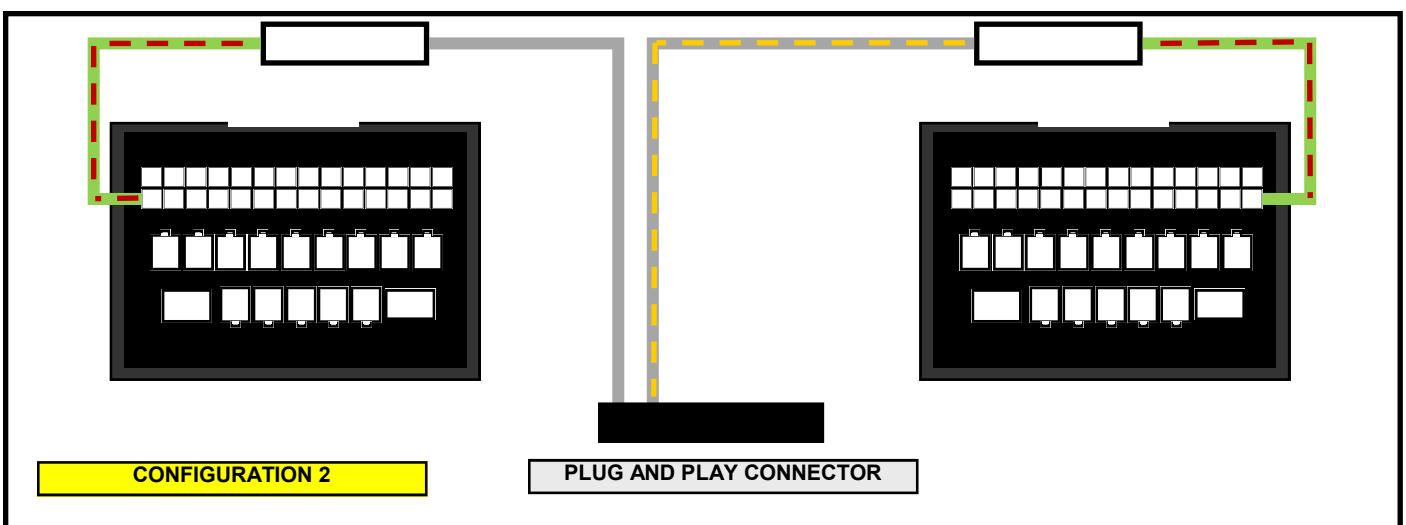
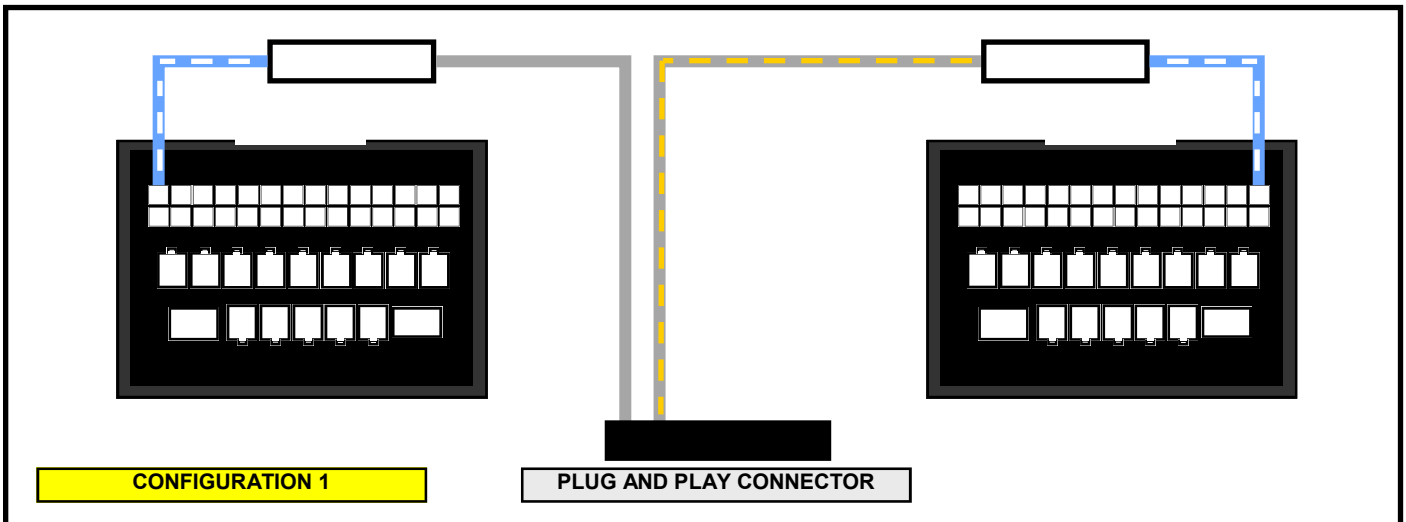
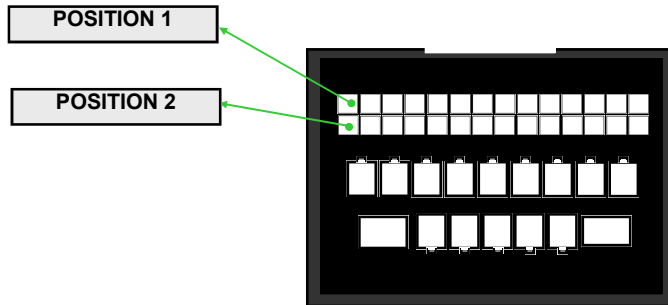
NOTES

PLEASE TUNE THE FM RADIO ON THE DEFAULT STATION AND STORE THE FREQUENCY 87.7 MHZ IN ONE OF FREE CHANNELS (I.E. POSITION 1). PLEASE POWER MEDIADAB HD: THE MODULE WILL START AND IT WILL ENABLE THE SCAN OPERATION, FOR WHICH IT NEEDS A FEW MINUTES. PLEASE MAKE SURE THAT THE CAR IS IN AN OPEN AREA AND THE DAB ANTENNA IS CONNECTED PROPERLY. ONCE THE SCANNER IS COMPLETE, IT WILL START TO PLAY THE FIRST DAB STATION AVAILABLE.

INSTALLATION ESTIMATED IN 1 HOUR

		<p>OPEL CHEVROLET</p>	<p>PLUG AND PLAY CBL059OPDB11</p>	<p>PROTOCOL CANBUS 1 WIRE GMLAN</p>
---	---	----------------------------------	--	--

CABLE CONFIGURATION
OPEL CARS CAN HAVE THE CANBUS WIRE IN 2 DIFFERENT POSITION.
USUALLY THE RIGHT CONFIGURATION IS THE FIRST ONE.
IN FEW CASES THE WIRE IS IN ANOTHER POSITION.
PLEASE FOLLOW THE DIAGRAMS BELOW EXPLAINING HOW CONFIGURE IT.



NOTES

PLEASE TUNE THE FM RADIO ON THE DEFAULT STATION AND STORE THE FREQUENCY 87.7 MHZ IN ONE OF FREE CHANNELS (I.E. POSITION 1). PLEASE POWER MEDIADAB HD: THE MODULE WILL START AND IT WILL ENABLE THE SCAN OPERATION, FOR WHICH IT NEEDS A FEW MINUTES. PLEASE MAKE SURE THAT THE CAR IS IN AN OPEN AREA AND THE DAB ANTENNA IS CONNECTED PROPERLY. ONCE THE SCANNER IS COMPLETE, IT WILL START TO PLAY THE FIRST DAB STATION AVAILABLE.



OPEL
CHEVROLET

PLUG AND PLAY
CBL059OPDB11

PROTOCOL
CANBUS 1 WIRE
GMLAN

QUICK MENU

SWITCH ON
VOLUME
SEQUENCE



VOL+



VOL-



VOL+



VOL-

SWITCH OFF
VOLUME
SEQUENCE



VOL+



VOL-



VOL+



VOL-

OR TROUGHT THE MENU

ENTER MENU
SOURCE
SEQUENCE



**LONG PRESS
SOURCE**

MENU
NAVIGATION
SEEKS

PREVIOUS



NEXT

CONFIRM A MENU
SELECTION
PRESS
MODE

**SHORT
PRESS**



CHANGE
CHANNEL
THROUGH SEEK

PREVIOUS



NEXT

CHANGE
FAVOURITE
CHANNEL
THROUGH SEEK

**LONG
PRESS
PREVIOUS**



**LONG
PRESS
NEXT**

ADD FAVOURITE
CHANNEL
VOLUME
SEQUENCE



VOL-



VOL+

SCAN

**PRESS
OK 3 TIMES**

