



THE NETHERLANDS
(NEDERLAND)



COMMUNICATION

Concerning: APPROVAL GRANTED
~~APPROVAL EXTENDED~~
~~APPROVAL REFUSED~~
~~APPROVAL WITHDRAWN~~
~~PRODUCTION DEFINITELY DISCONTINUED~~

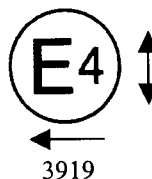
of a type of rear fog lamp for power-driven vehicles and their trailers pursuant to Regulation No. 38

Approval No.: E4 - 38R - 00 3919

Extension No.: --

Approval mark:

F
00

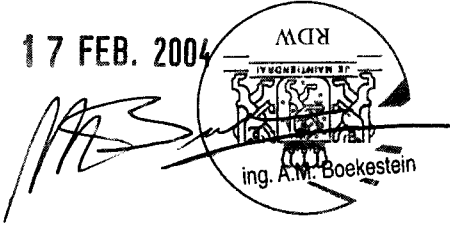


- 1 Trade name or mark of the device : HELLA
- 2 Manufacturer's name for the type of device : Agroluna NES 343130
- 3 Manufacturer's name and address : Hella Lighting Finland Oy
Inkereentie 566,
24280 Salo
Finland
- 4 If applicable, name and address of the manufacturer's representative : --
- 5 Submitted for approval on : 3 February 2004
- 6 Technical service responsible for conducting approval tests : N.V. KEMA
- 7 Date of report issued by that service : 10 February 2004



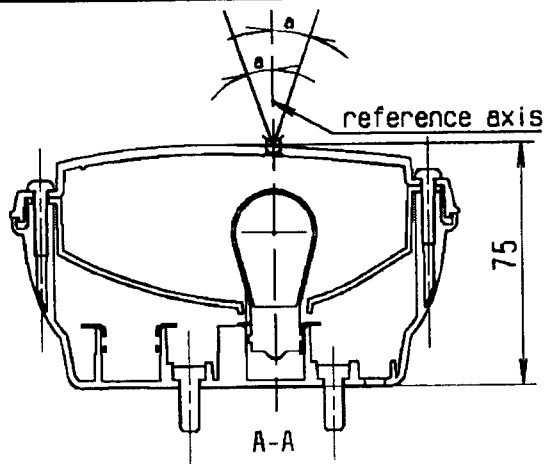
Approval No.: E4 – 38R – 00 3919

Extension No.: --

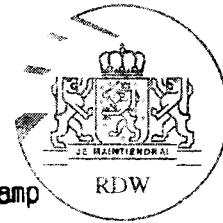
- 8 Number of reports issued by that service : 04-017
- 9 Concise description:
Number and category of filament lamps : 1x P21W
Geometrical conditions of installation and relating variations; if any : --
- 10 Position of the approval mark : See annexed drawings
- 11 Reason(s) for extension (if applicable) : --
- 12 Approval granted/~~refused/extended/withdrawn~~
- 13 Place : Zoetermeer
- 14 Date : 17 FEB. 2004
- 15 Signature : 

16 The list of documents deposited with the Administrative Service which has granted approval is annexed to this communication and may be obtained on request:

- 2 Drawings Nos. 343254-00 and 343254-01, dated 29.01.2004 (annexed).
- 1 Table with outlines of the illuminating surface No. 343255-00, dated 29.01.2004 (annexed).
- Test report as mentioned in item 8

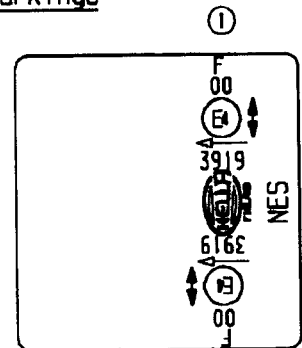
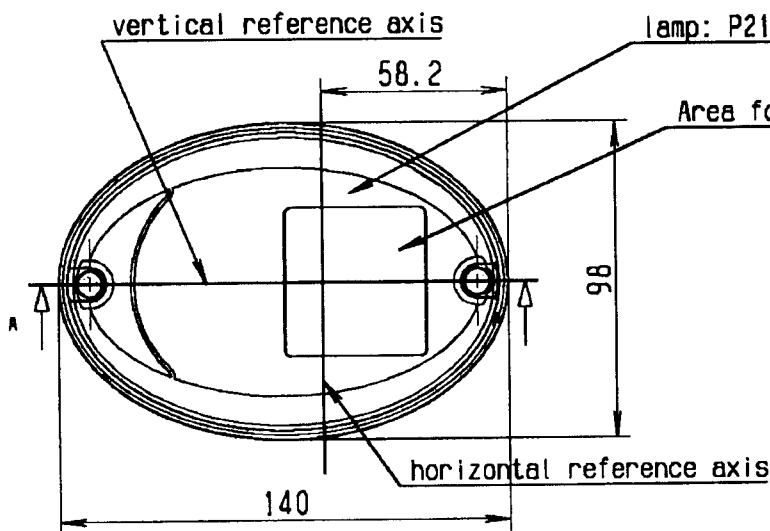



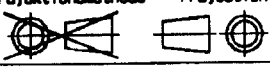
permitted turning angle $a=0^\circ$

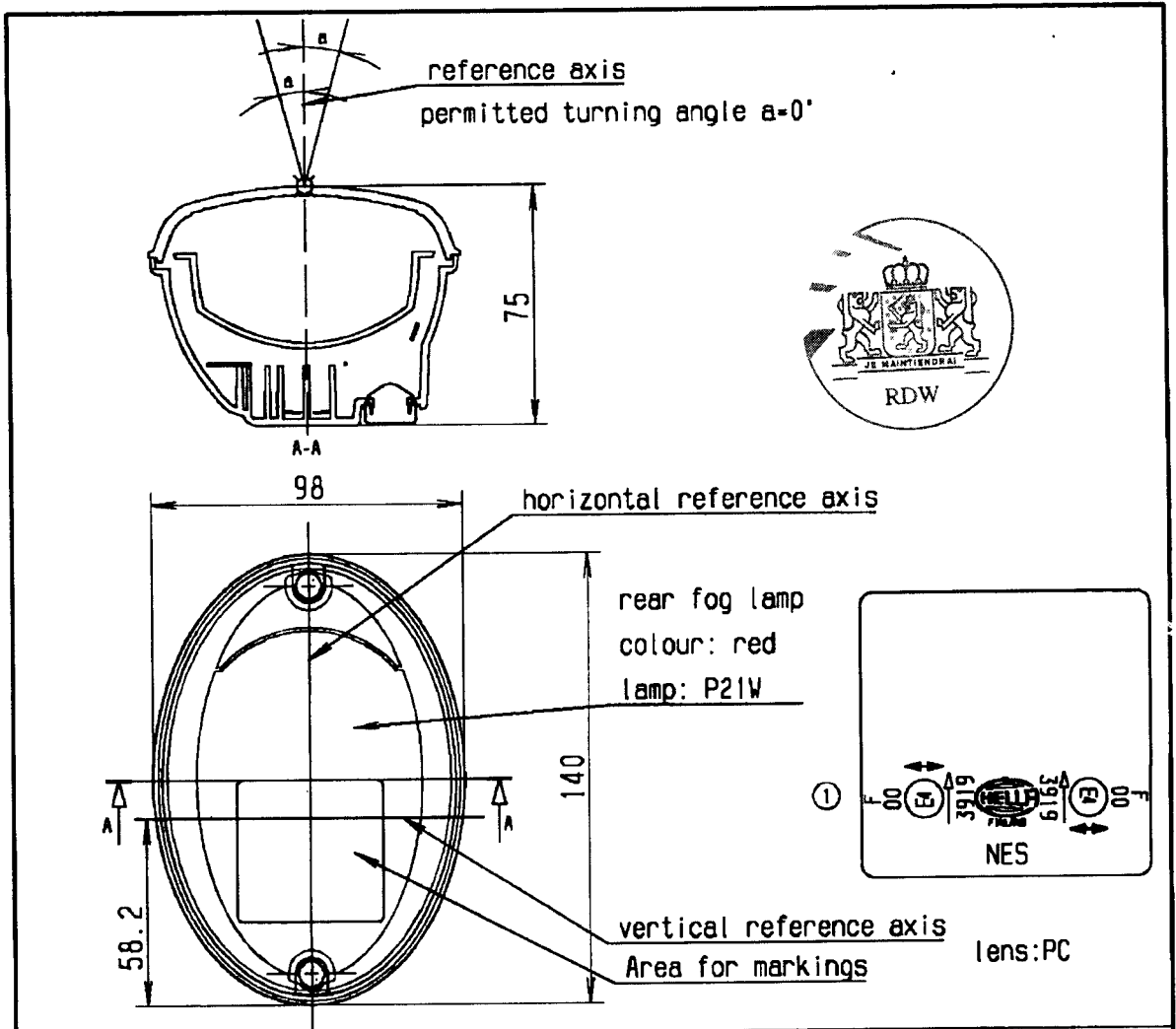


rear fog lamp
colour: red
lamp: P21W

lens:PC



X				Added approval number		30.01.2004		OSI/HLF		
2D	A-Index Rev. Ind	war was	Blatt Page	Aenderung Rev. Description		A-Nr. Rev. No.	Datum Date	K-Gr./UserId Depart./UserId		
Oberfläche 1 Surface 1										
Verkstoff 1 Material 1										
Allgemeintoleranz General Tolerance				Gewicht Weight				Mat.-Nr. Mat.-No.		
Diese Unterlage ist vertraulich zu behandeln. Ihre Weitergabe sowie die Verwertung und Mitteilung ihres Inhalts ist nur mit unserer ausdrücklichen Genehmigung gestattet. Wir behalten uns alle Rechte vor, insbesondere das Recht zur Schutzrechtsanmeldung.					This document is confidential. It's contents are not to be exploited, passed on or disclosed to third parties without our express permission. All rights reserved.					
Mastab Scale		Erstellt/Entw. Drawn		Datum Date		Userid		 Hella Lighting Finland		
Projektionsmethode Projection		Freigegeben Checked		290104		TBI				
		Konstr.-Gr. Department		HLF						
Benennung						Artikel-Nr.		Part No.		
Title						Zeichnungs-Nr.		Drawing No.		Format Size
343130 Agroluna NES horizontal mounting						343254-00				A4
Ersatz fuer Replaces						Blatt: Page:		Blattzahl: Of:		
CATIA:						Dok.-Status:				



X	1			Added approval number		30.01.2004	OSI/HLF	
2D	3D	A-Index Rev. Ind	war was	Blatt Page	Aenderung Rev. Description	A-Nr. Rev. No.	Datum Date	K-Gr./Userid Depart./Userid

Oberfläche 1 Surface 1							
Verkstoff 1 Material 1							
Allgemeintoleranz General Tolerance					Gewicht Weight		Mat.-Nr. Mat.-No.

Diese Unterlage ist vertraulich zu behandeln. Ihre Weitergabe sowie die Verwertung und Mitteilung ihres Inhalts ist nur mit unserer ausdrücklichen Genehmigung gestattet. Wir behalten uns alle Rechte vor, insbesondere das Recht zur Schutzrechtsanmeldung.

This document is confidential. Its contents are not to be exploited, passed on or disclosed to third parties without our express permission. All rights reserved.

Masstab Scale		Datum Date	290104	Userid	OSI	Hella Lighting Finland
Projektionsmethode Projection		Erstellt/Entw. Drawn	290104	Freigegeben Checked	TBI	
		Konstr.-Gr. Department	HLF			

Benennung	Artikel-Nr. Part No.
-----------	-------------------------

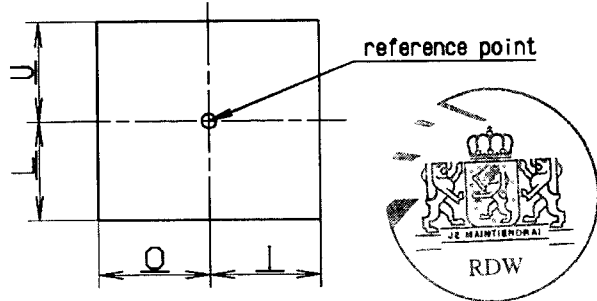
Title	Zeichnungs-Nr. Drawing No.	Format Size
343130 Agroluna NES vertical mounting	343254-01	A4

Ersatz fuer Replaces	Blatt: Page	Blattzahl: Of
CATIA:	Dok.-Status:	

Determining the lower, upper and lateral limits of the illuminating surface of the lamp device.

According to European DIRECTIVE 91/663/EEC, Annex I "Installation of lighting and light-signalling devices", clause 1.9.2.

According to ECE regulation 48/01 "Installation of lighting and light-signalling devices", clause 2.9.2.



Function	upper limit (U) mm	lower limit (L) mm	outer limit (O) mm	inner limit (I) mm
Rear fog lamp	32	32	49	37

Horizontal mounting as in drawing 343254-00


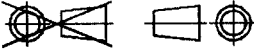
Function	upper limit (U) mm	lower limit (L) mm	outer limit (O) mm	inner limit (I) mm
Rear fog lamp	49	37	32	32

Vertical mounting as in drawing 343254-01

2D/3D	A-Index Rev. Ind	war was	Blatt Page	Änderung Rev. Description	A-Nr. Rev. No.	Datum Date	K-Gr./Userid Depart./Userid

Diese Unterlage ist vertraulich zu behandeln. Ihre Weitergabe sowie die Verwertung und Mitteilung ihres Inhalts ist nur mit unserer ausdrücklichen Genehmigung gestattet. Wir behalten uns alle Rechte vor, insbesondere das Recht zur Schutzrechtsanmeldung.

This document is confidential. It's contents are not to be exploited, passed on or disclosed to third parties without our express permission. All rights reserved.

Masstab Scale	Projektionsmethode Projection	Erstellt/Entw. Drawn	Datum Date	Userid	 Hella Lighting Finland
		Freigegeben Checked	29.01.2004	TBI	
Benennung Agroluna 343130 NES		Konstr.-Gr. Department		Artikel-Nr. Part No.	
Title ILLUMINATING SURFACE		Zeichnungs-Nr. Drawing No.		343255-00	Format Size A4
Ersatz fuer Replaces CATIA:		Blatt: Page:		Blattzahl: Of:	Dok.-Status: