



N E D E R L A N D
(THE NETHERLANDS)



COMMUNICATION

Concerning: APPROVAL GRANTED
~~APPROVAL EXTENDED~~
~~APPROVAL REFUSED~~
~~APPROVAL WITHDRAWN~~
~~PRODUCTION DEFINITELY DISCONTINUED~~

of a type of retroreflecting device pursuant to Regulation No. 3

Approval No.: E4 - 3R - 02 3178

Extension No.: --

Approval mark:

IA
02



3178

- 1 Trade name or mark of the device : HELLA
- 2 Manufacturer's name for the type of device : 1189 (rectangular & smooth end)
- 3 Manufacturer's name and address : Hella Lighting Finland Oy
Inkereentie 566
Fin-24280 Salo
Finland
- 4 Name and address of his representative : --
- 5 Submitted for approval on : 20 March 2001
- 6 Technical service responsible for conducting approval test : N.V. KEMA
- 7 Date of test report : 28 March 2001
- 8 Number of test report : 01-027
- 9 Concise description:
In isolation/part of an assembly of devices
Colour of the light emitted : white/red/amber

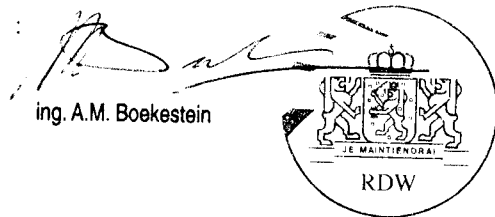


Approval No.: E4 - 3R - 02 3178

Extension No.: --

- 10 Position of the approval mark : see annexed drawing
- 11 Reasons for extension if applicable : --
- 12 Approval granted/~~refused/extended/withdrawn~~
- 13 Place : Zoetermeer
- 14 Date : **29 MAART 2001**
- 15 Signature :

ing. A.M. Boekestein



- 16 The list of documents deposited with the Administrative Service which has granted approval is annexed to this communication and may be obtained on request:
- 2 drawings Nos. 341 480-00 and 341 481-00 (annexed)
 - test report as mentioned in item 8

optional: rear position (side) lamp/rear end-outline marker lamp colour: red lamp: R5W

rear direction indicator category 2a colour: amber lamp: P21W

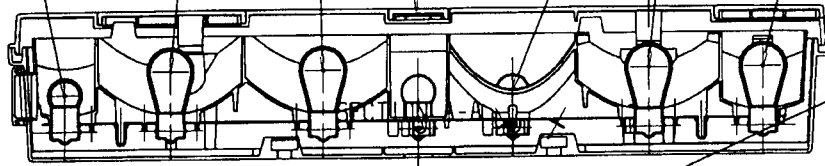
optional: rear retro reflector class 1A colour: red

optional: rear fog lamp colour: red lamp: P21W

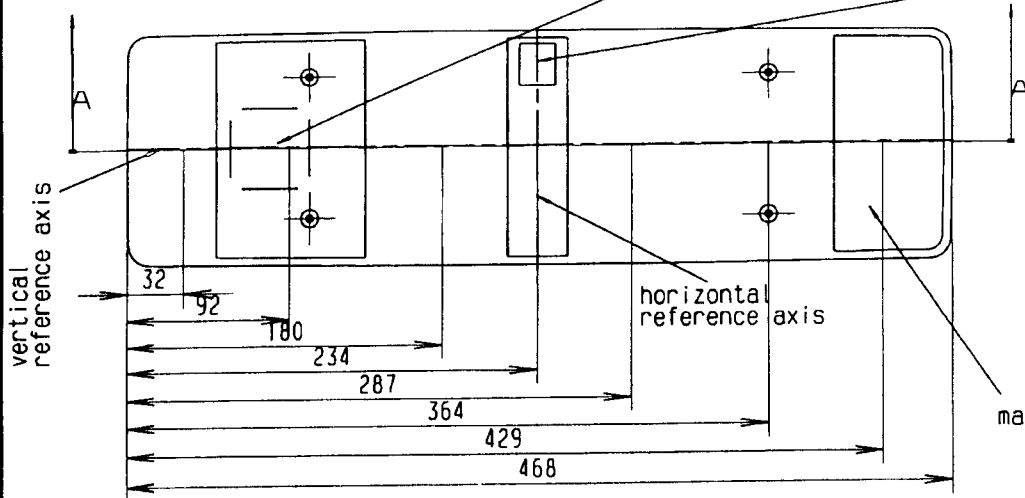
stop lamp colour: red lamp: P21W

rear position (side) lamp colour: red two lamps: 2*R5W

reversing lamp colour: clear lamp: P21W



R	2a	S1	R	F	AR
02	01	02	02	00	00
(E4)					
9808					
HELLA FINLAND					
9808					
(E4)					
AR	F	R	S1	2a	R
00	00	02	02	01	02



IA 02
(E4)
3178



material: PMMA

ONLY FOR HORIZONTAL MOUNTING

20	30	A-Index Rev. Ind	war was	Blatt Page	Aenderung Rev. Description	A-Nr. Rev. No.	Datum Date	K-Gr./User id Depart./User id
----	----	---------------------	------------	---------------	-------------------------------	-------------------	---------------	----------------------------------

Oberflaeche I Surface I
Werkstoff I Material I
Allgemeintoleranz General Tolerance	Gewicht Weight	.	Mat.-Nr. Mat. -No.

Diese Unterlage ist vertraulich zu behandeln. Ihre Weitergabe sowie die Verwertung und Mitteilung ihres Inhalts ist nur mit unserer ausdruecklichen Genehmigung gestattet. Wir behalten uns alle Rechte vor, insbesondere das Recht zur Schutzrechtsanmeldung.

This document is confidential. It's contents are not to be exploited, passed on or disclosed to third parties without our express permission. All rights reserved.

Masstab Scale	1:4	Erstellt/Entw. Drawn	020101	Datum Date	HAM	User id	
Projektionsmethode Projection		Freigegeben Checked		Konstr.-Gr. Department	HLF	Hella Lighting Finland	

Benennung REAR COMBINATION LAMP 1189	Artikel-Nr. Part No.	
---	-------------------------	--

Title rectangular end	Zeichnungs-Nr. Drawing No.	341 480-00	Format Size A4
--------------------------	-------------------------------	------------	----------------------

Ersatz fuer Replaces	Blatt: Page:	Blattzahl: Of:	Dok. -Status:
-------------------------	-----------------	-------------------	---------------

CATIA:

rear direction indicator category 2a colour: amber lamp: P21W

optional: rear retro reflector class IA colour: red

optional: rear fog lamp colour: red lamp: P21W

R 2a S1 R F AR
02 01 02 02 00 00

E4

9808



8086

E4

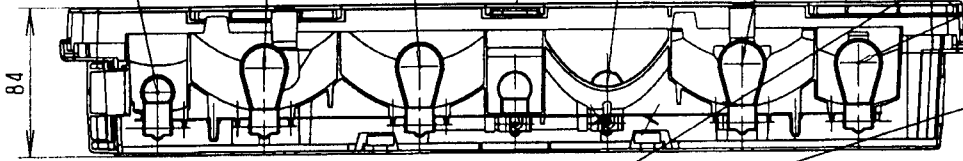
20 10 20 20 00 00
R F R S1 2a R

optional: rear position (side) lamp/rear end-outline marker lamp colour: red lamp: R5W

stop lamp colour: red lamp: P21W

rear position (side) lamp colour: red two lamps: 2*R5W

reversing lamp colour: clear lamp: P21W

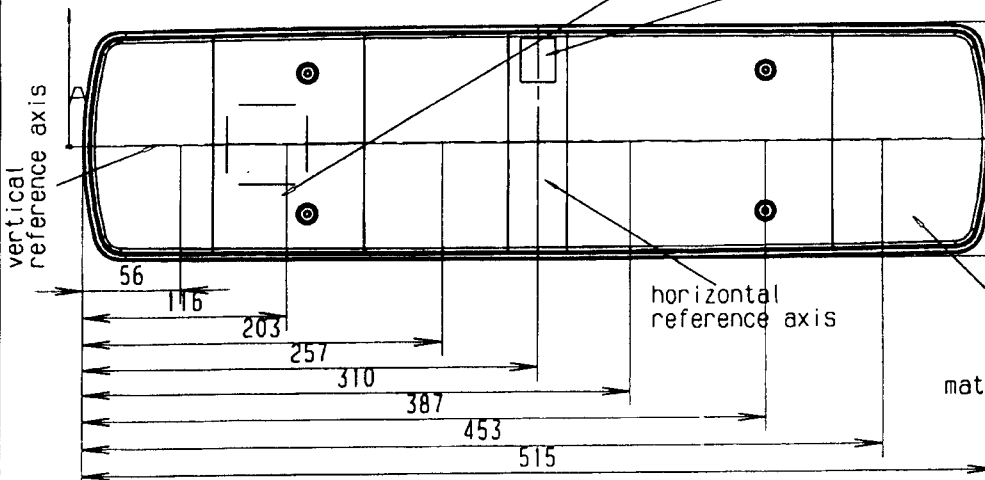


SECTION A-A

IA 02

E4

3178



ONLY FOR HORIZONTAL MOUNTING

20	30	A-Index Rev. Ind	war was	Blatt Page	Aenderung Rev. Description	A-Nr. Rev. No.	Datum Date	K-Gr./Userid Depart./Userid

Oberflaeche I Surface I
Werkstoff I Material I
Allgemeintoleranz General Tolerance	Gewicht Weight	.	Mat. -Nr. Mat. -No.

Diese Unterlage ist vertraulich zu behandeln. Ihre Weitergabe sowie die Verwertung und Mitteilung ihres Inhalts ist nur mit unserer ausdruecklichen Genehmigung gestattet. Wir behalten uns alle Rechte vor, insbesondere das Recht zur Schutzrechtsanmeldung.

This document is confidential. It's contents are not to be exploited, passed on or disclosed to third parties without our express permission. All rights reserved.

Masstab Scale	1:4	Erstellt/Entw. Drawn	020101	Datum Date	HAM	Userid	
Projektionsmethode Projection		Freigegeben Checked		Konstr. -Gr. Department	HLF		



Benennung REAR COMBINATION LAMP 1189	Artikel-Nr. Part No.	
---	-------------------------	--

Title smooth end	Zeichnungs-Nr. Drawing No.	341 481-00	Format Size	A4
---------------------	-------------------------------	------------	----------------	----

Ersetz fuer Replaces	Blatt: Page:	Blattzahl: Of:	Dok. -Status:
-------------------------	-----------------	-------------------	---------------

CATIA: